

# Valve 、 Clamp & fittings

**Ball valve, Pipe Clamp & Connectors.**

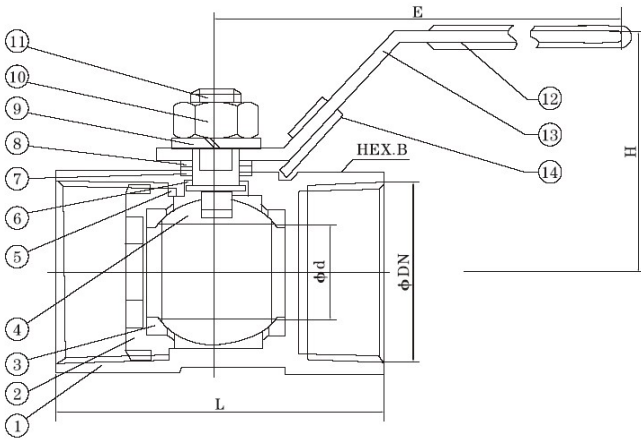
**Investment Casting type Fittings**



**INFINITY INDUSTRIES, INC.**

[WWW.INFINDUSTRIES.COM](http://WWW.INFINDUSTRIES.COM)

# 1000WOG-1Piece type threaded end ball valve



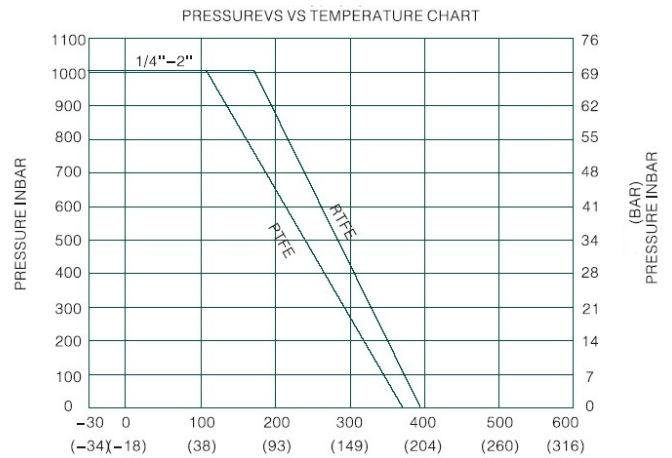
### Specifications:

Working Pressure: 1000psig at 100°F (38°C)  
 Temperature range: 30 °F-350°F (-34°C-177°C)

## Main parts and materials

No.	Part name	Materials
1	Body	CF8M/CF8/WCB
2	End cap	CF8M/CF8/WCB
3	Ball seat	PTFE
4	Ball	A351-CF8M
5	Body Gasket	PTFE
6	Thrust washer	PTFE
7	Stem Packing	PTFE
8	Gland Nut	SUS 304
9	Stem washer	SUS 304
10	Stem Nut	A194-9
11	Stem	SUS 316
12	Handle sleeve	Vinyl Plastic
13	Handle	SUS 304
14	Lock device	SUS 304

### Pressure vs. Temperature Chart

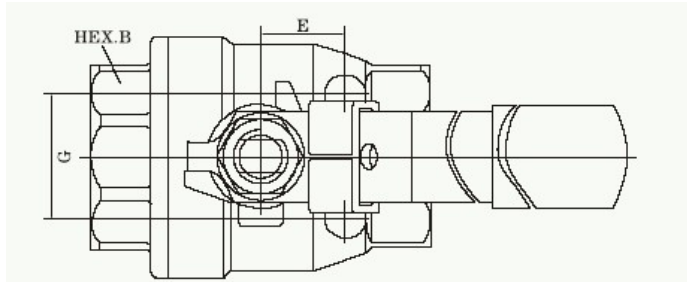
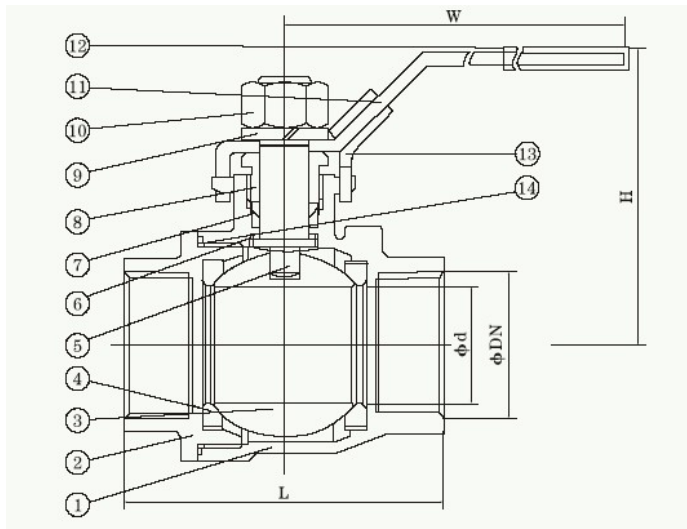


### Main Dimensions

Unit: mm

Size	Φ D	L	H	E	HEX.B	Φ DN
DN8	1/4"	5.0	41.5	34.0	17.0	NPT,BSB, DIN etc.
DN10	3/8"	7.0	47.5	35.0	21.0	
DN15	1/2"	9.1	58.0	44.0	25.0	
DN20	3/4"	12.5	61.0	46.0	32.0	
DN25	1"	15.0	73.5	51.0	38.0	
DN32	1-1/4"	20.0	78.0	58.0	46.0	
DN40	1-1/2"	25.0	85.0	66.0	53.0	
DN50	2"	32.0	102.0	72.0	65.0	

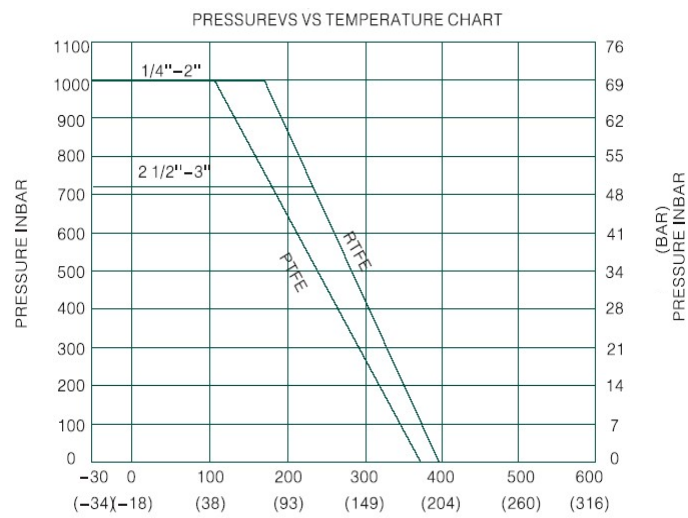
# 1000WOG-2Piece type threaded end ball valve



## Main parts and materials

No.	Part name	Materials
1	Body	CF8M/CF8/WCB
2	End Plug	CF8M/CF8/WCB
3	Ball	CF8M/CF8
4	Ball Seat	PTFE
5	Stem	SUS 316
6	Thrust washer	PTFE
7	Stem Packing	PTFE
8	Gland Nut	SUS 304
9	Stem washer	SUS 304
10	Stem Nut	A194-8
11	Handle	SUS 302
12	Handle sleeve	Vinyl Plastic
13	Lock device	SUS 304
14	Body Gasket	PTFE

### Pressure vs. Temperature Chart



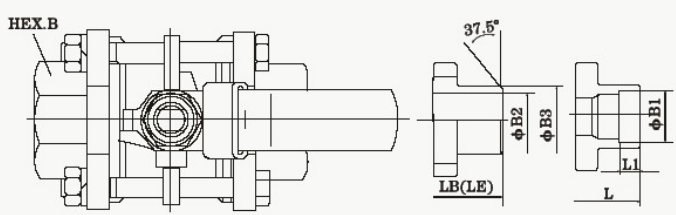
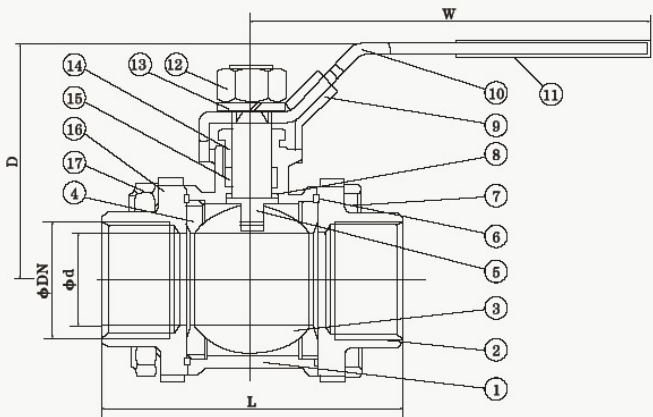
**Specifications:**  
 Working Pressure: 1000psig at 100°F (38°C)  
 Temperature range: 30 °F-350°F (-34°C-177°C)

### Main Dimensions

Unit: mm

Size	Φ d	L	H	W	E	G	HEX.B	Φ DN
1/4"	10.3	58.0	58.0	100.0	12.7	28.5	22.0	NPT,BSB, DIN etc.
3/8"	12.7	58.0	58.0	100.0	12.7	28.5	22.0	
1/2"	15.0	62.0	58.0	100.0	12.7	28.5	25.0	
3/4"	20.0	72.4	64.0	129.0	22.0	34.8	32.0	
1"	25.0	85.0	77.0	156.0	22.0	34.8	41.0	
1-1/4"	32.0	94.0	83.0	156.0	23.6	38.1	50.0	
1-1/2"	38.0	105.0	96.0	182.5	23.6	38.1	55.0	
2"	50.0	125.0	102.0	182.5	23.6	38.1	70.0	
2-1/4"	63.5	155.0	129.0	252.0	35.0	65.0	85.0	
3"	76.0	173.0	138.5	252.0	35.0	65.0	105.0	

# 1000WOG-3Piece type threaded end ball valve



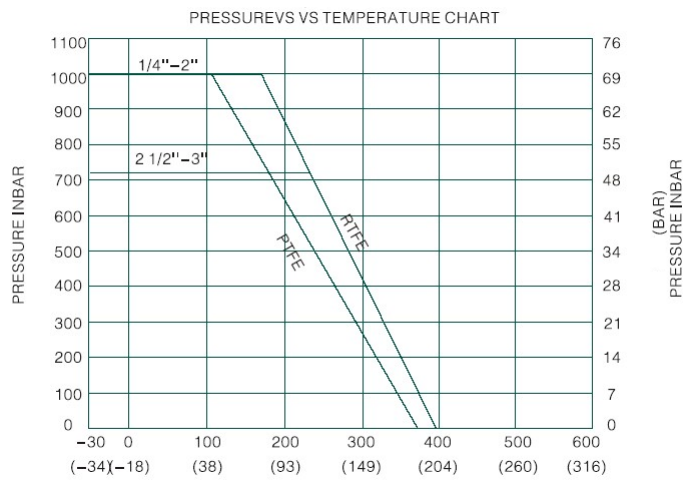
### Specifications:

Working Pressure: 1000psig at 100°F (38°C)  
 Temperature range: 30 °F-350°F (-34°C-177°C)

## Main parts and materials

No.	Part name	Materials
1	Body	CF8M/CF8/WCB
2	End Plug	CF8M/CF8/WCB
3	Ball	CF8M/CF8
4	Ball Seat	PTFE
5	Stem	SUS 316
6	Body Gasket	PTFE
7	Bolt	A193-B8
8	Thrust washer	PTFE
9	Lock device	SUS 304
10	Handle	SUS 304
11	Handle sleeve	Vinyl Plastic
12	Stem Nut	A194-8
13	Stem washer	SUS 304
14	Gland Nut	SUS 304
15	Grand Stem	PTFE
16	Bolt washer	SUS 304
17	Bolt Nut	A194-8/A194-2H

### Pressure vs. Temperature Chart



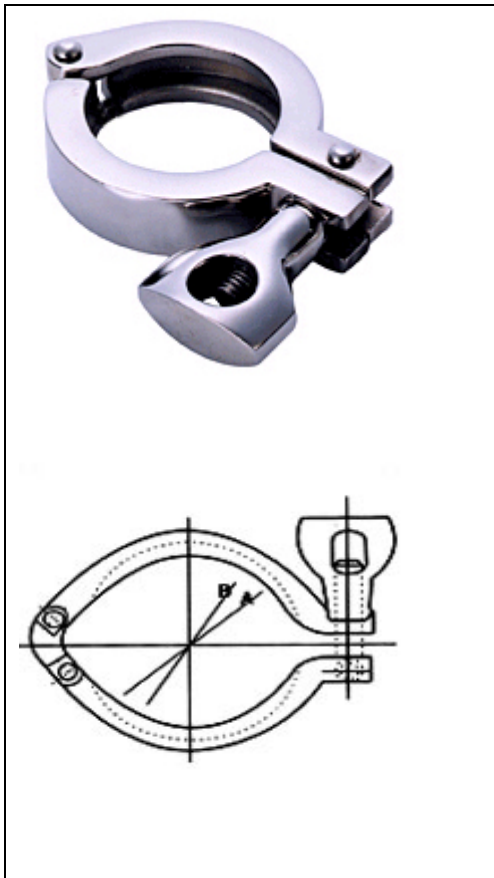
### Main Dimensions

Unit: mm

Size	Φ d	L	LB	LE	H	W	L1	Φ B1	Φ B2	Φ B3	HEX.B	Φ DN
1/4"	10.6	65.2	65.2	225.0	57.5	100.0	10.0	14.2	9.3	18.0	22.0	NPT,BSB, DIN etc.
3/8"	12.7	65.2	65.2	225.0	57.5	100.0	10.0	17.0	12.5	18.0	22.0	
1/2"	15.0	69.5	75.0	225.0	57.5	100.0	10.0	21.8	15.8	22.0	28.0	
3/4"	20.0	80.0	90.0	225.0	63.0	129.0	13.0	27.3	20.9	28.0	32.0	
1"	25.0	90.0	100.0	245.0	75.0	156.0	13.0	34.0	26.7	34.0	41.0	
1-1/4"	32.0	110.0	110.0	255.0	81.0	156.0	16.0	42.8	35.1	44.0	50.0	
1-1/2"	38.0	120.0	125.0	260.0	94.0	182.5	16.0	48.9	40.9	51.0	55.0	
2"	50.0	140.0	150.0	295.0	104.5	182.5	17.0	61.4	52.5	61.0	70.0	
2-1/4"	63.5	185.0	190.0	334.0	131.0	252.0	17.0	74.0	62.7	76.0	85.0	

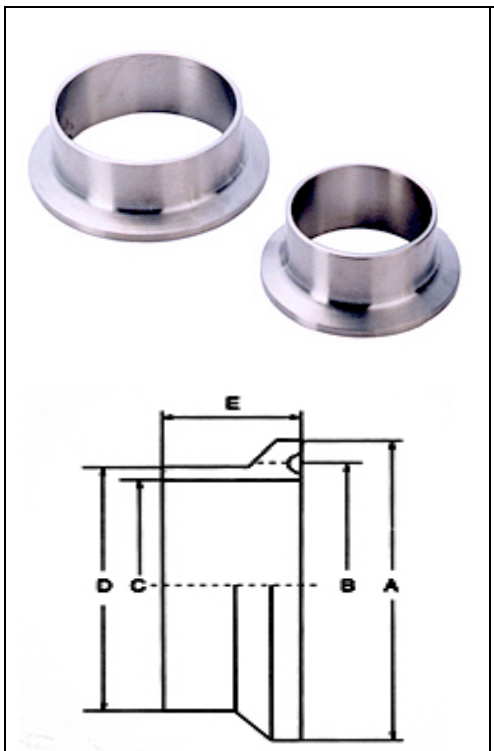
# Sanitary Clamp and Clamp Liners

## Stainless steel Clamp



Size	DN	A	B
3/8"	Φ10	Φ25mm	17.5mm
1/2"	Φ12-Φ16	Φ34mm	26mm
1"-1 1/2"	Φ19-Φ38	Φ50.5mm	43.5mm
2"	Φ50.8	Φ64mm	56.5mm
2 1/2"	Φ63	Φ77mm	69.5mm
3"	Φ76	Φ91mm	83.5mm
3 1/2"	Φ89	Φ106mm	98.5mm
4"	Φ108	Φ119mm	111mm
4 1/2"	Φ114	Φ128mm	120mm
5"	Φ133	Φ145mm	137mm
6"	Φ159	Φ180mm	170mm
8"	Φ219	Φ235mm	225mm

## Stainless steel Clamp liners



Size	DN	A	B	C	E
3/4"	19mm	50.5mm	43.5mm	16.5mm	21.0mm
1"	25mm	50.5mm	43.5mm	22.4mm	21.0mm
1 1/4"	32mm	50.5mm	43.5mm	28.8mm	21.0mm
1 1/2"	38mm	50.5mm	43.5mm	35.1mm	21.0mm
2"	50.8mm	64.0mm	56.5mm	47.8mm	21.0mm
2 1/2"	63mm	77.5mm	70.5mm	59.5mm	21.0mm
3"	76mm	91mm	83.5mm	72.3mm	21.0mm
3 1/2"	89mm	106mm	97mm	85.1mm	21.0mm
4"	108mm	119mm	110mm	97.6mm	21.0mm
4 1/2"	114mm	128mm	120mm	108mm	25mm
5"	133mm	145mm	137mm	127mm	25mm
6"	159mm	180mm	170mm	152mm	28mm
8"	219mm	235mm	225mm	210mm	28mm